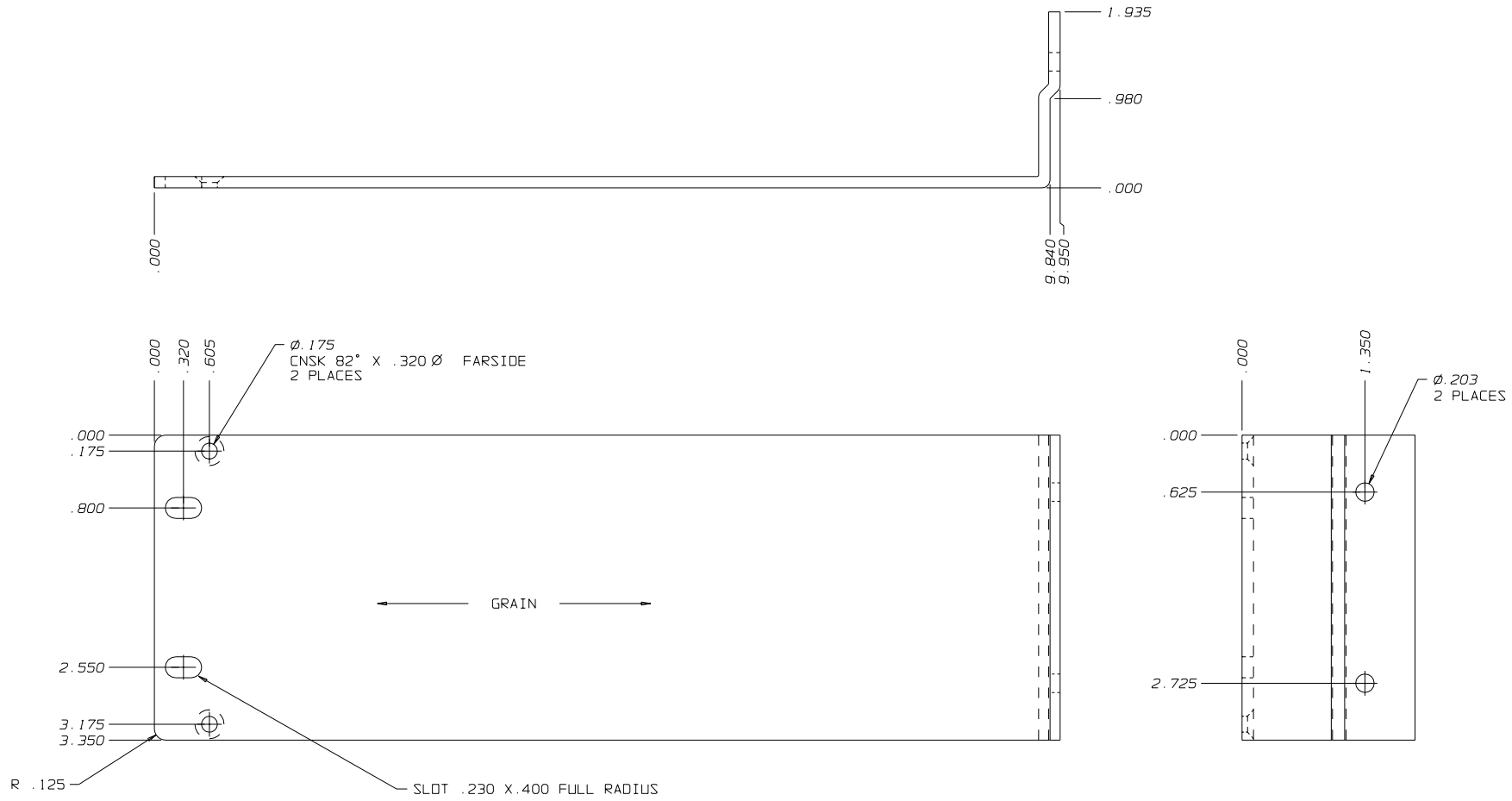


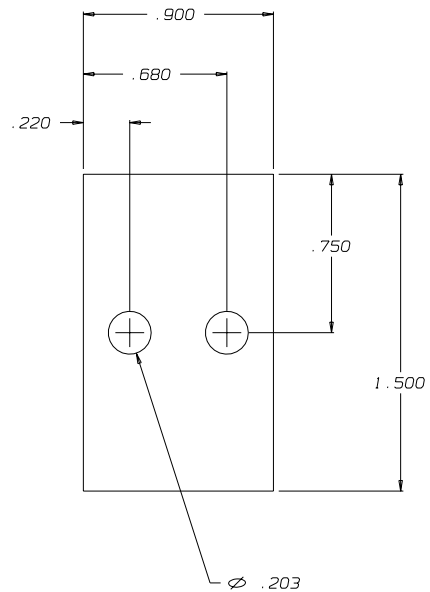
REVISIONS			
REV	DESCRIPTION	DATE	APPROVED
A1	ADDED MISSING DIMENSION	01/09/02	GAW



- NOTES:
- 1) ALL DIMENSIONS ARE IN INCHES
  - 2) TOL +/- .010
  - 3) USE MINIMUM RADII ON ALL BENDS
  - 4) MATERIAL: .125 ALUMINUM
  - 5) FINISH: ANODIZE, BLACK

<i>STANFORD RESEARCH SYSTEMS, Inc.</i>			
1290-D REAMWOOD AVENUE SUNNYVALE, CA 94089		ASSEMBLY: HIGH VOLTAGE POWER SUPPLY	
PHONE: (408) 744-9040 FAX: 4087449049 TELEX: 706891 SRS UD		TITLE: RACKMOUNT, SINGLE	
SIZE C	SRS REF# PS300-49	SRS PART# 7-00229-715	REV A1
DRAWN BY: L D		SCALE: 1 : 1	DATE: 8-2-88 SHEET 1 OF 1

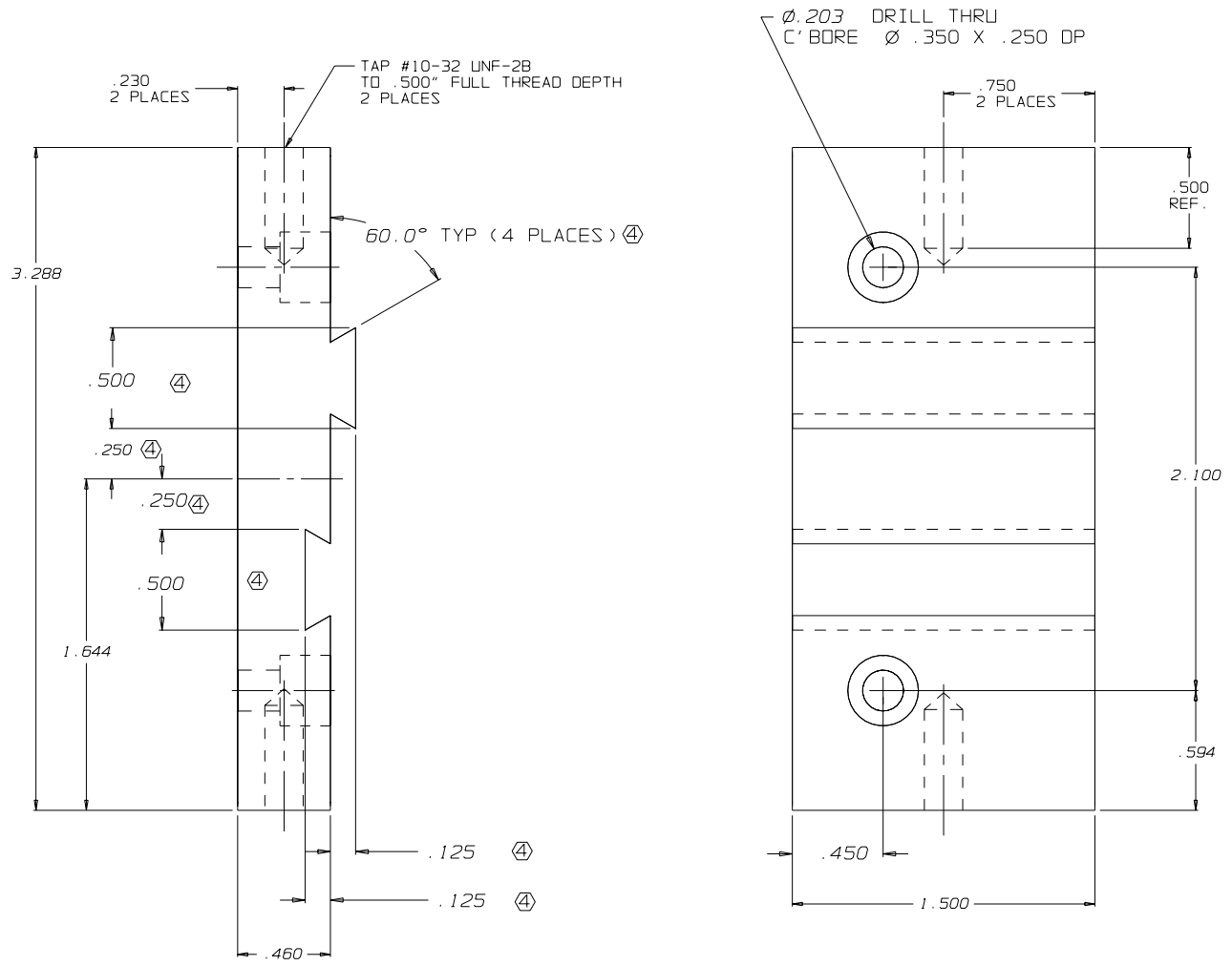
REVISIONS			
REV	DESCRIPTION	DATE	APPROVED



- NOTES: 1) ALL DIMENSIONS ARE IN INCHES  
 2) TOL +/- .010  
 3) REMOVE ALL SHARP EDGES AND BURRS (GRAINING D.K.)  
 4) MATERIAL: .125" THICK (8 ga.) ALUMINUM STRIP  
 5) FINISH: BLACK ANODIZE  
 6) RUBBER OR METAL STAMP ON THIS PART (LOCATION OPTIONAL) IN .06 - .12 HIGH CHARACTERS: 7-00676-720.REVO

<i>STANFORD RESEARCH SYSTEMS, Inc.</i>			
1290-D REAMWOOD AVENUE SUNNYVALE, CA 94089		ASSEMBLY: DOUBLE RACK MOUNT - PS, DS34X, SR560/70, SR630	
PHONE: (408) 744-9040 FAX: 4087449049 TELEX: 706891 SRS UD		TITLE: SAFETY LOCKING PLATE	
SIZE C	SRS REF# PS300-52	SRS PART# 7-00680-720	REV 0
DRAWN BY: JG		SCALE: 2:1	DATE: 12/19/94 SHEET 1 OF 1

REVISIONS			
REV	DESCRIPTION	DATE	APPROVED
C	ADDED TWO (2) #10-32 TAPPED HOLES	12/19/94	JG



NOTES: UNLESS OTHERWISE SPECIFIED  
 1) ALL DIMENSIONS ARE IN INCHES AND APPLY AFTER PLATING  
 2) TOLERANCE: +/- .005 UNLESS OTHERWISE NOTED  
 3) MATERIAL: 6061 ALUMINUM  
 ④) DOVETAILS TO BE MACHINED FOR SMOOTH, SLIDING FIT OF TWO (2) MATING PARTS  
 5) FINISH: ANODIZE, BLACK

*STANFORD RESEARCH SYSTEMS, Inc.*

1290-D REAMWOOD AVENUE  
 SUNNYVALE, CA 94089  
 PHONE: (408) 744-9040  
 FAX: 4087449049  
 TELEX: 706891 SRS LD

ASSEMBLY:  
 HIGH VOLTAGE POWER SUPPLY  
 TITLE:  
 RACKMOUNT, DOUBLE

SIZE C	SRS REF# SR300-38	SRS PART# 7-00194-720	REV C
-----------	----------------------	--------------------------	----------

DRAWN BY: LD      SCALE: 2:1      DATE: 7-29-88      SHEET 1 OF 1