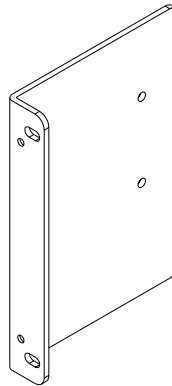
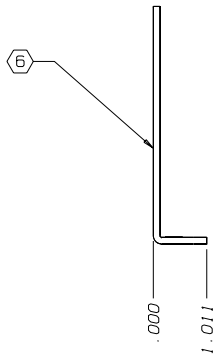
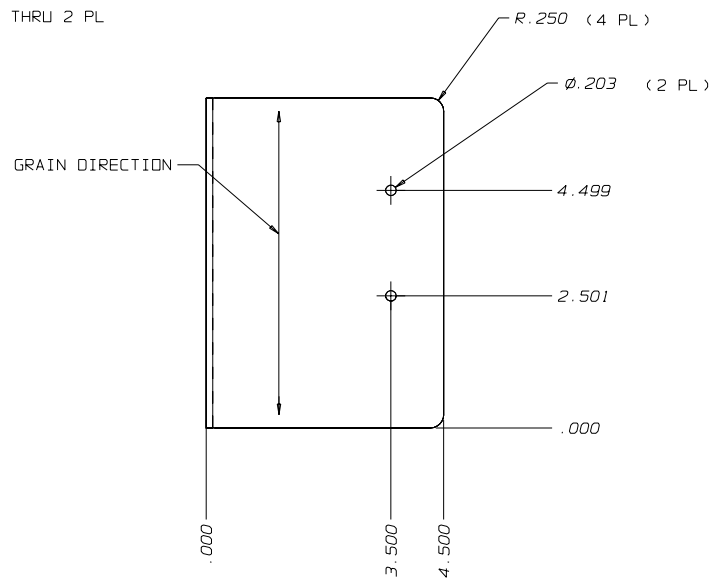
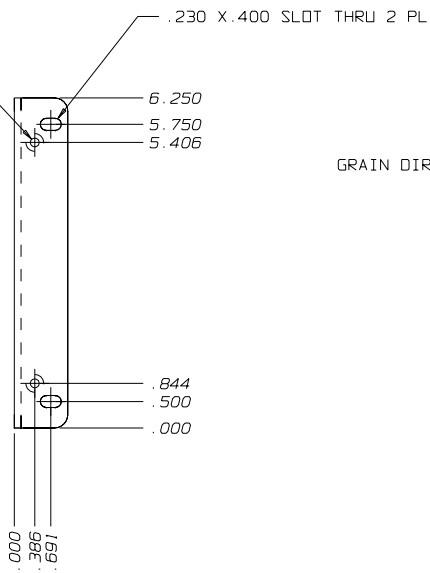


REVISIONS			
REV	DESCRIPTION	DATE	APPROVED
A	ADDED "FAR SIDE" TO CSK	8/3/89	JG
B	SPECIFIED GRAIN DIRECTION	2/24/03	GAW



$\phi .171$
 THRU CSK 82 DEG.
 TO .340 DIA. (2 PL)
 FAR SIDE



- NOTES:
- 1) ALL DIMENSIONS ARE IN INCHES
 - 2) TOL +/- .010
 - 3) USE MINIMUM RADII ON ALL BENDS
 - 4) MATERIAL: .125 ALUMINUM (8 GA)
 - 5) FINISH: BLACK ANODIZE.
 - (6) RUBBER STAMP ON THIS SURFACE IN .12 - .19 HIGH CHARACTERS:
7-00289-720.REVA

STANFORD RESEARCH SYSTEMS, Inc.

1290-D REAMWOOD AVENUE
SUNNYVALE, CA 94089

PHONE: (408) 744-9040
FAX: 4087449049
TELEX: 706891 SRS UD

ASSEMBLY: PLATFORM

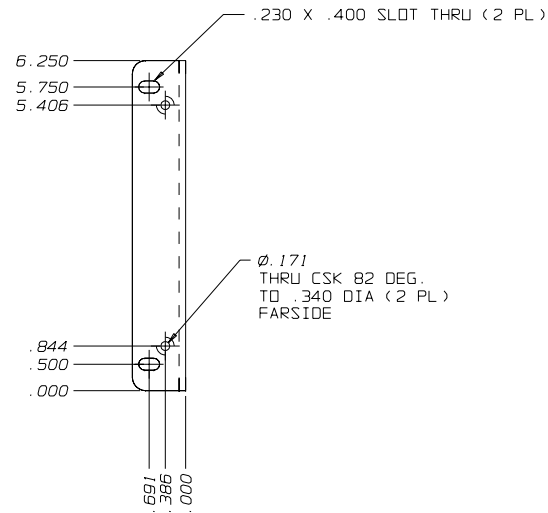
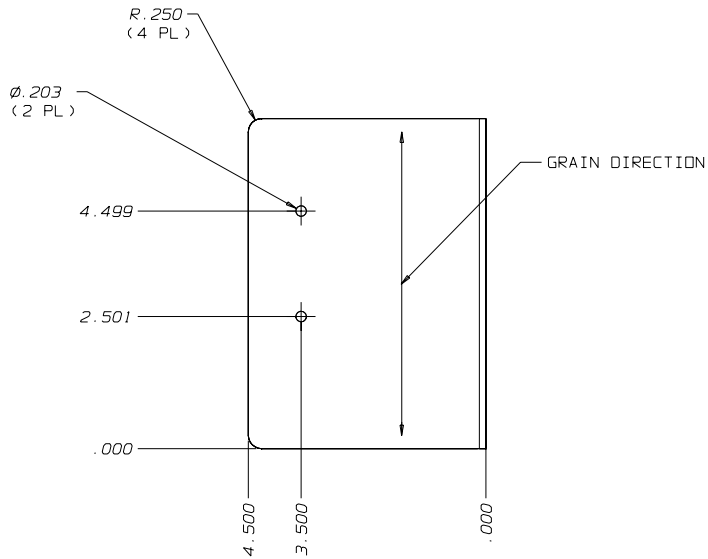
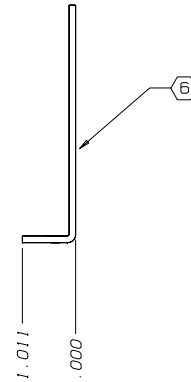
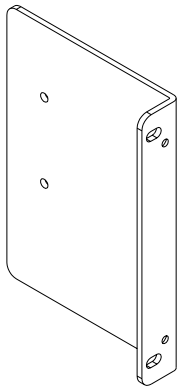
TITLE: RACKMOUNT

SIZE	SRS REF#	SRS PART#	REV
C	PLTFM-26	7-00289-720	B

DRAWN BY: JG

SCALE: 1:2 DATE: 4/12/89 SHEET 1 OF 1

REVISIONS			
REV	DESCRIPTION	DATE	APPROVED
A	ADDED "FAR SIDE" TO CSK	8/3/89	JG
B	SPECIFIED GRAIN DIRECTION	2/24/03	GAW



- NOTES:
- 1) ALL DIMENSIONS ARE IN INCHES
 - 2) TOL +/- .010
 - 3) USE MINIMUM RADII ON ALL BENDS
 - 4) MATERIAL: .125 ALUMINUM (8 GA)
 - 5) FINISH: BLACK ANODIZE.
 - 6) RUBBER STAMP ON THIS SURFACE IN .12 - .19 HIGH CHARACTERS:
7-00292-720.REVA

<i>STANFORD RESEARCH SYSTEMS, Inc.</i>			
1290-D REAMWOOD AVENUE SUNNYVALE, CA 94089		ASSEMBLY: PLATFORM	
PHONE: (408) 744-9040 FAX: 4087449049 TELEX: 706891 SRS UD		TITLE: RACKMOUNT, LEFT	
SIZE C	SRS REF# PLTFM-27	SRS PART# 7-00292-720	REV B
DRAWN BY: JG	SCALE: 1:2	DATE: 5/19/89	SHEET 1 OF 1