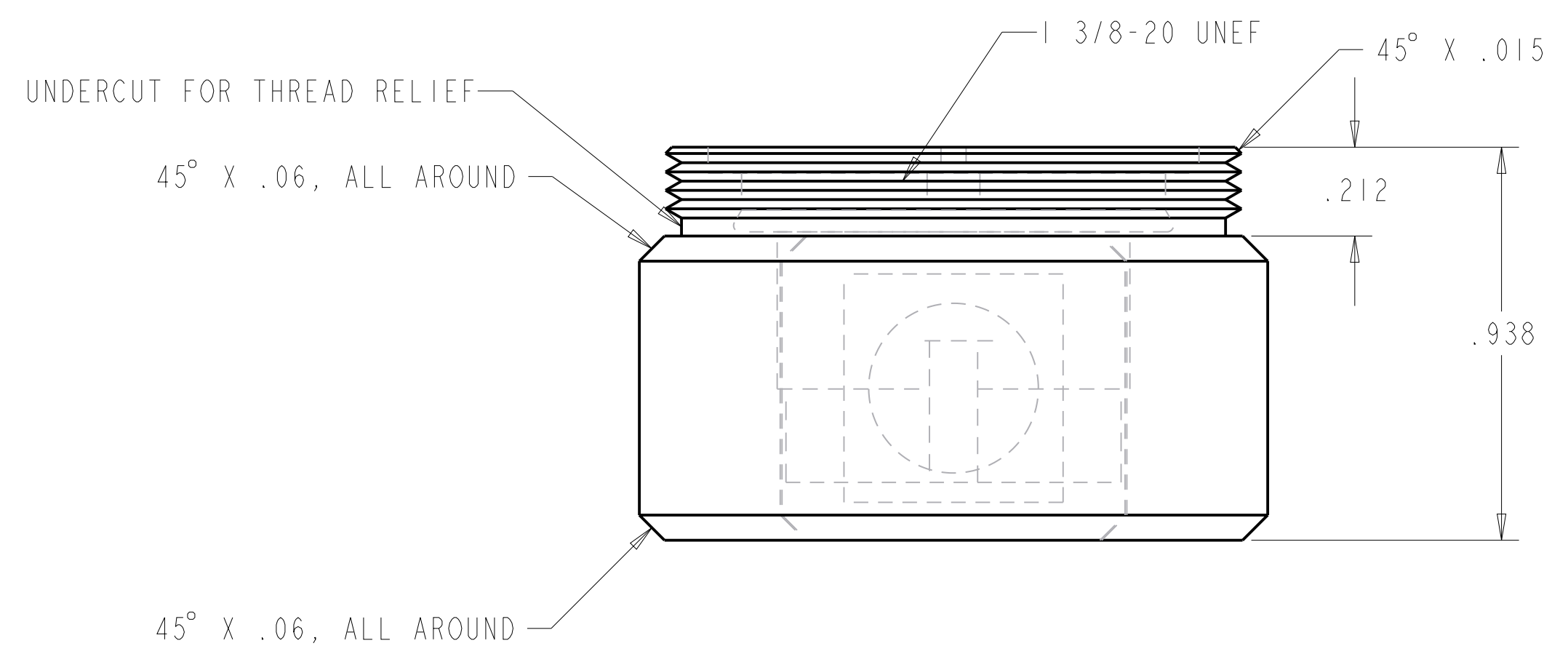
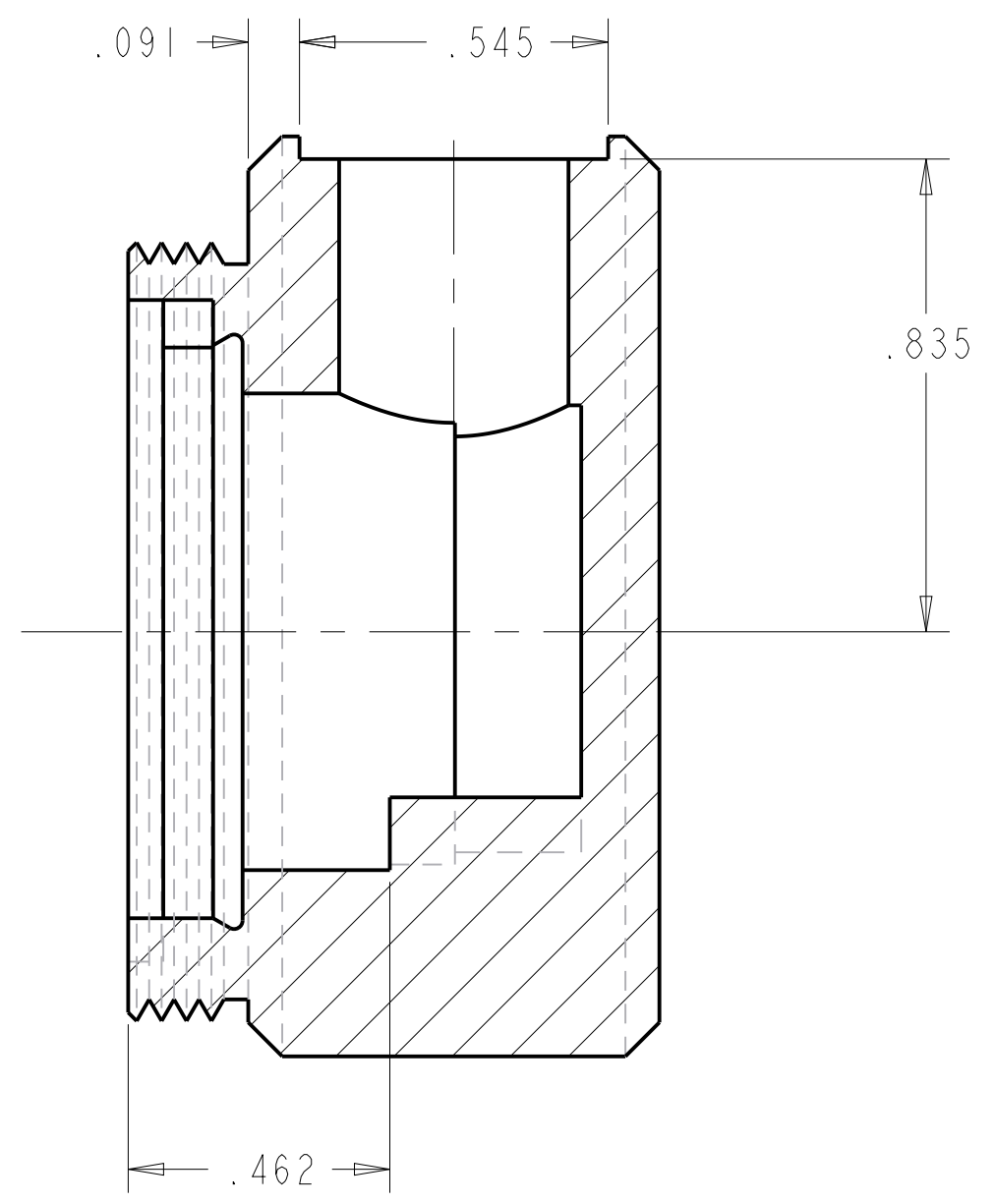
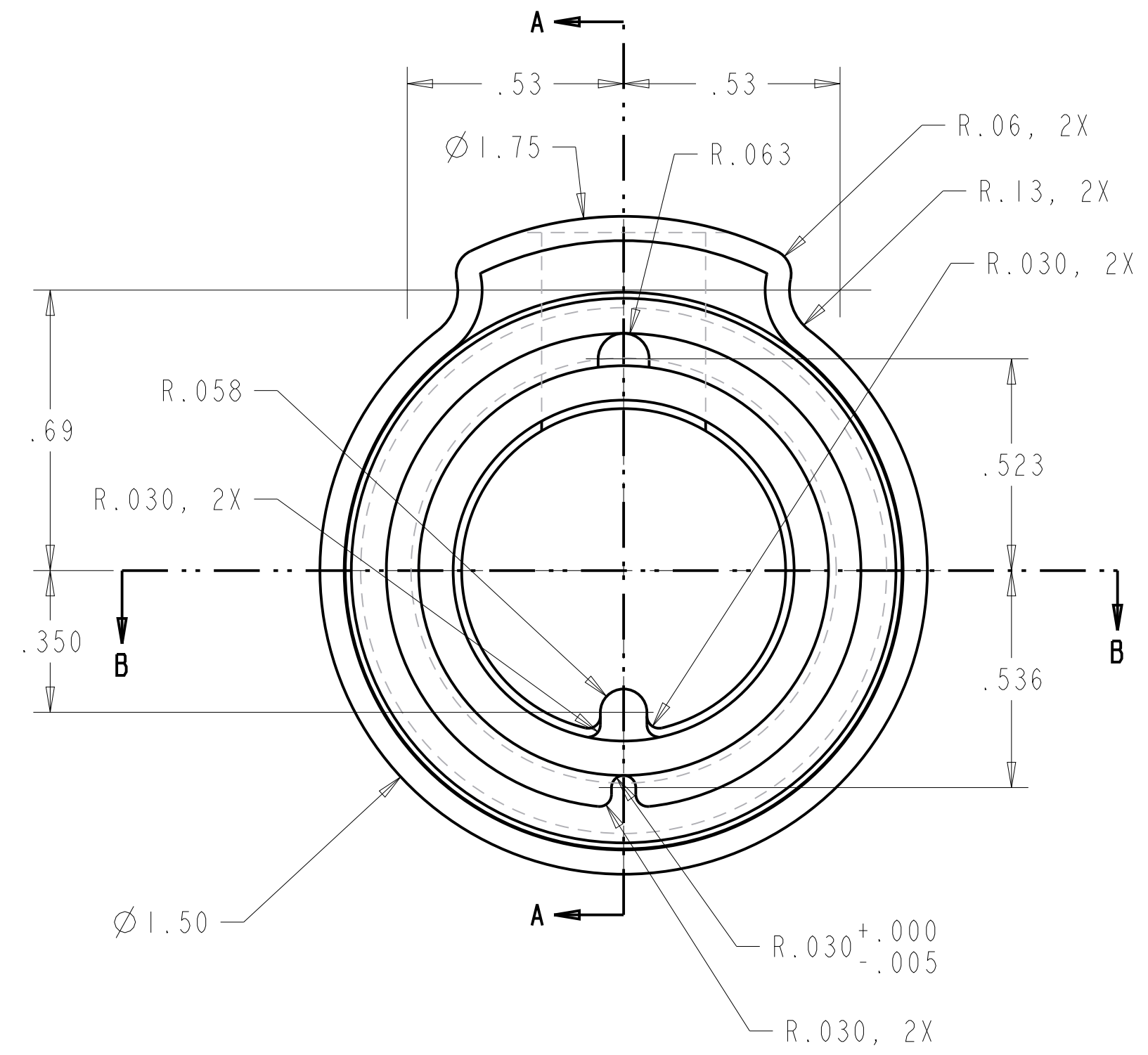
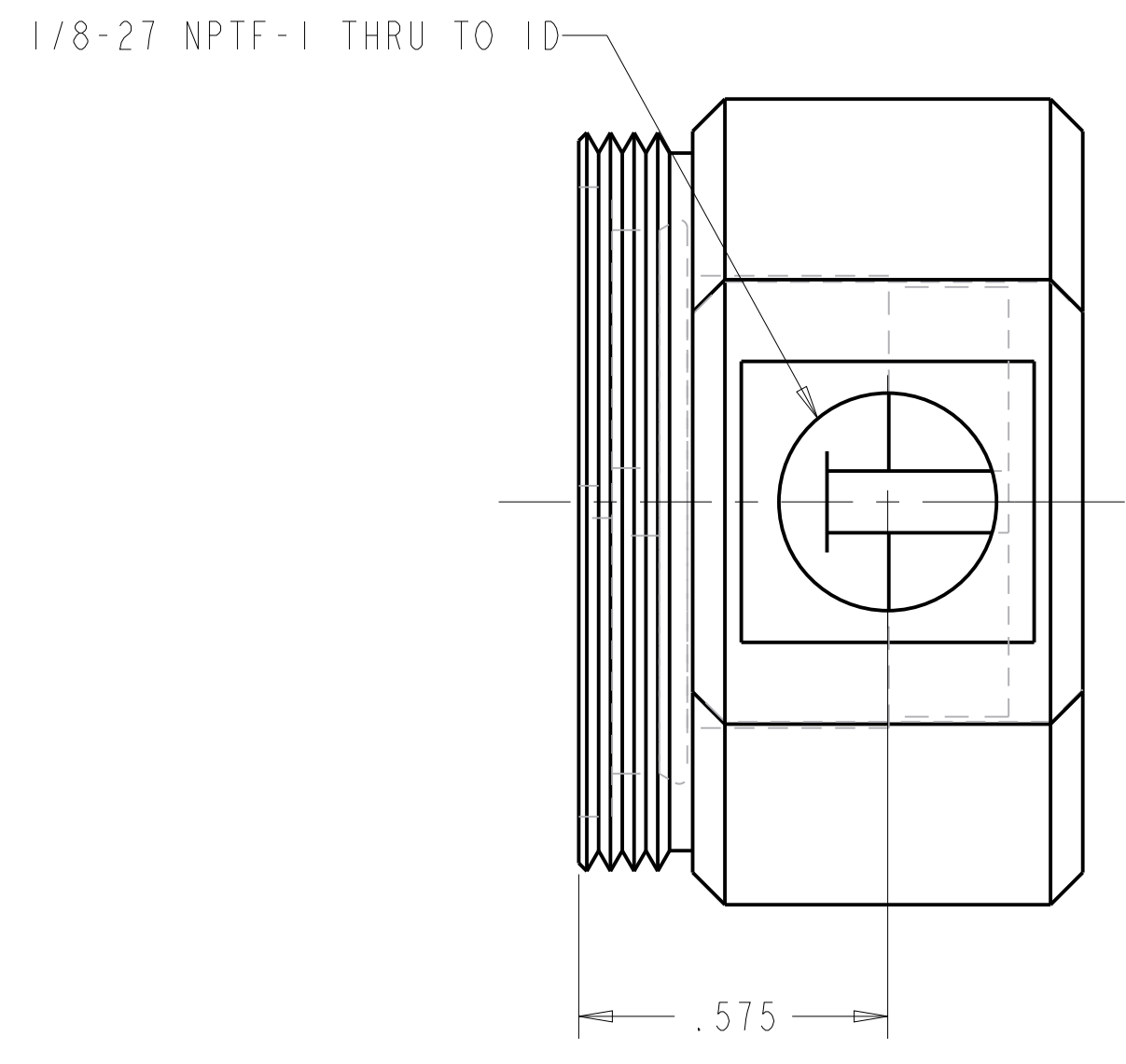
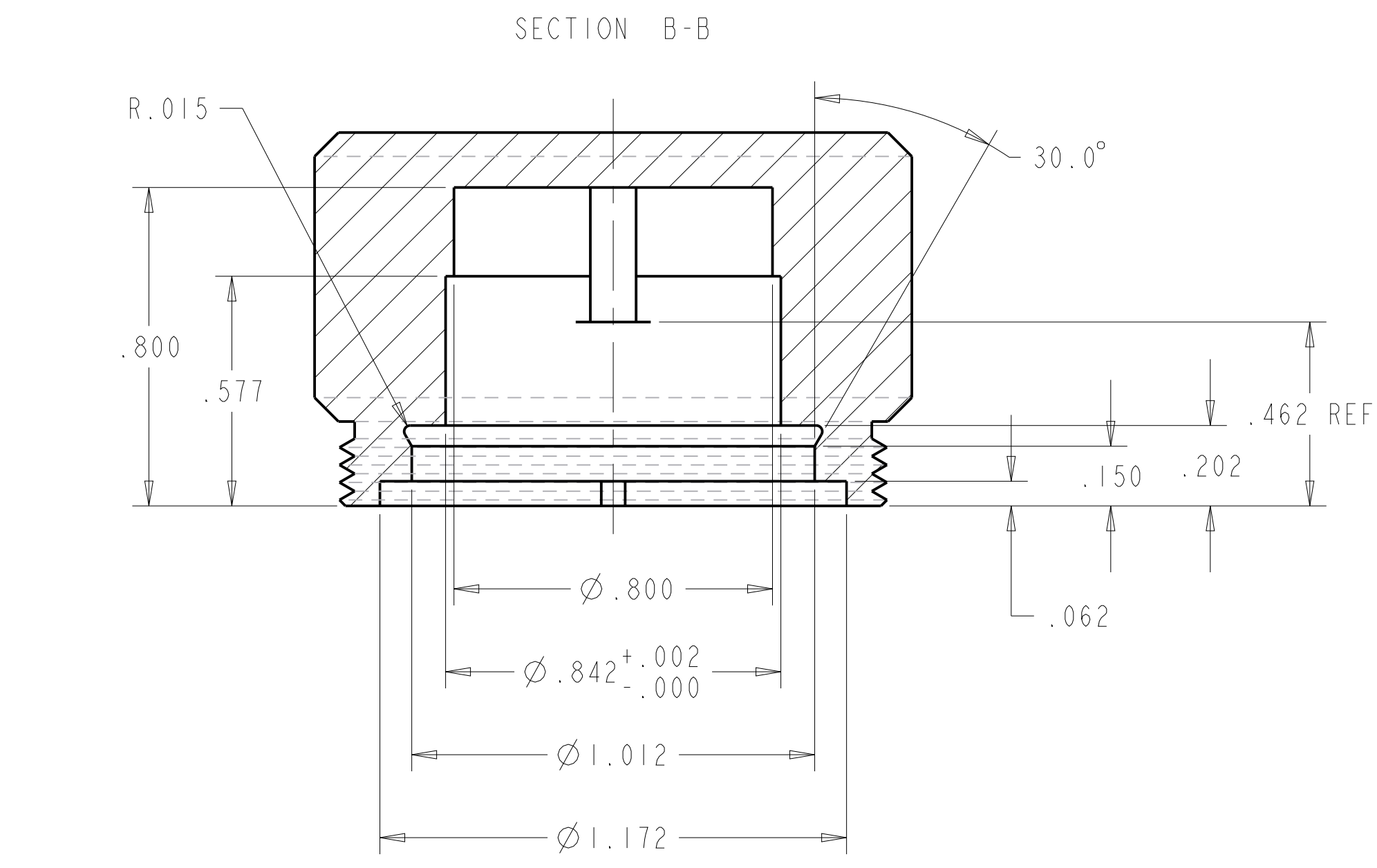


REVISIONS			
REV	DESCRIPTION	DATE	APPROVED
A	INITIAL RELEASE	6/10/02	GAW
B	CHANGED .404 HOLE TO 3/8-24 TAP	6/25/02	GAW
C	ADDED ORIENTATION FOR PLUG	10/10/02	GAW
D	REDESIGNED	12/14/04	GAW
D1	ADDED NOTE	10/31/05	GAW
D2	DEFINED MATERIAL	6/1/09	GAW
E	CHANGED MATERIAL	1/8/19	GAW



NOTES: UNLESS OTHERWISE SPECIFIED
 1. THIS PART MATES WITH SRS P/N 7-01386-721, WHEN MATED THERE SHALL BE NO MORE THAN +/- 1/2 THD OF EXPOSED THREADS

MATERIAL KYNAR 740 PVDF NATURAL	UNLESS OTHERWISE SPECIFIED, DIMENSIONS ARE IN INCHES.	SRS STANFORD RESEARCH SYSTEMS, INC. 1290-D Redwood Avenue, Sunnyvale CA 94089	
FINISH	TOLERANCES: .X ± .XX ± .XXX ± .005 ANGLE ±	DRAWING TITLE: PROBE BODY, EQCM	
ENG BY/DATE G.WATERS	SIZE D	PROBE FILENAME: 7-01382-721	SRS PART NO. 7-01382-721
DWN BY/DATE G.WATERS	SCALE: 3.00	10-Jun-02	SHEET: 1 OF 1

NEXT ASSY	ECQM	USED ON	DO NOT SCALE DRAWING
-----------	------	---------	----------------------