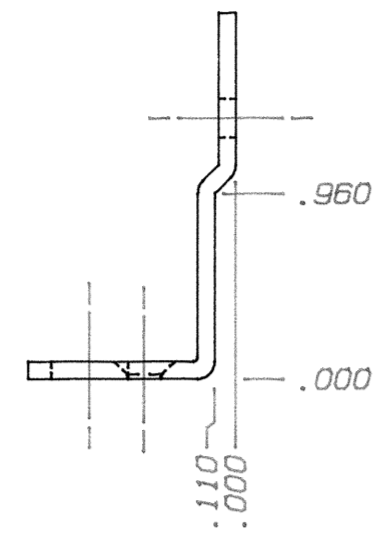
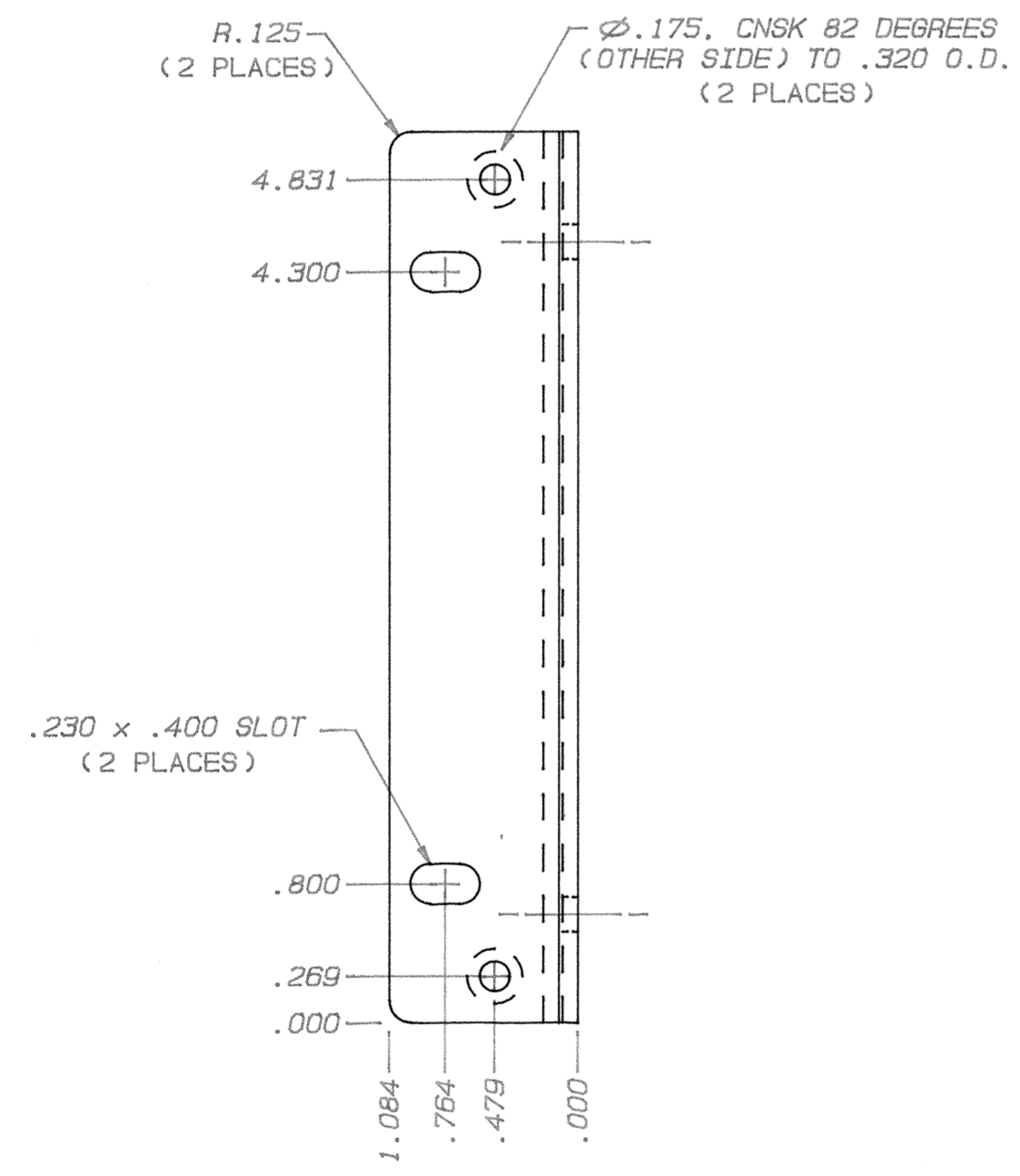


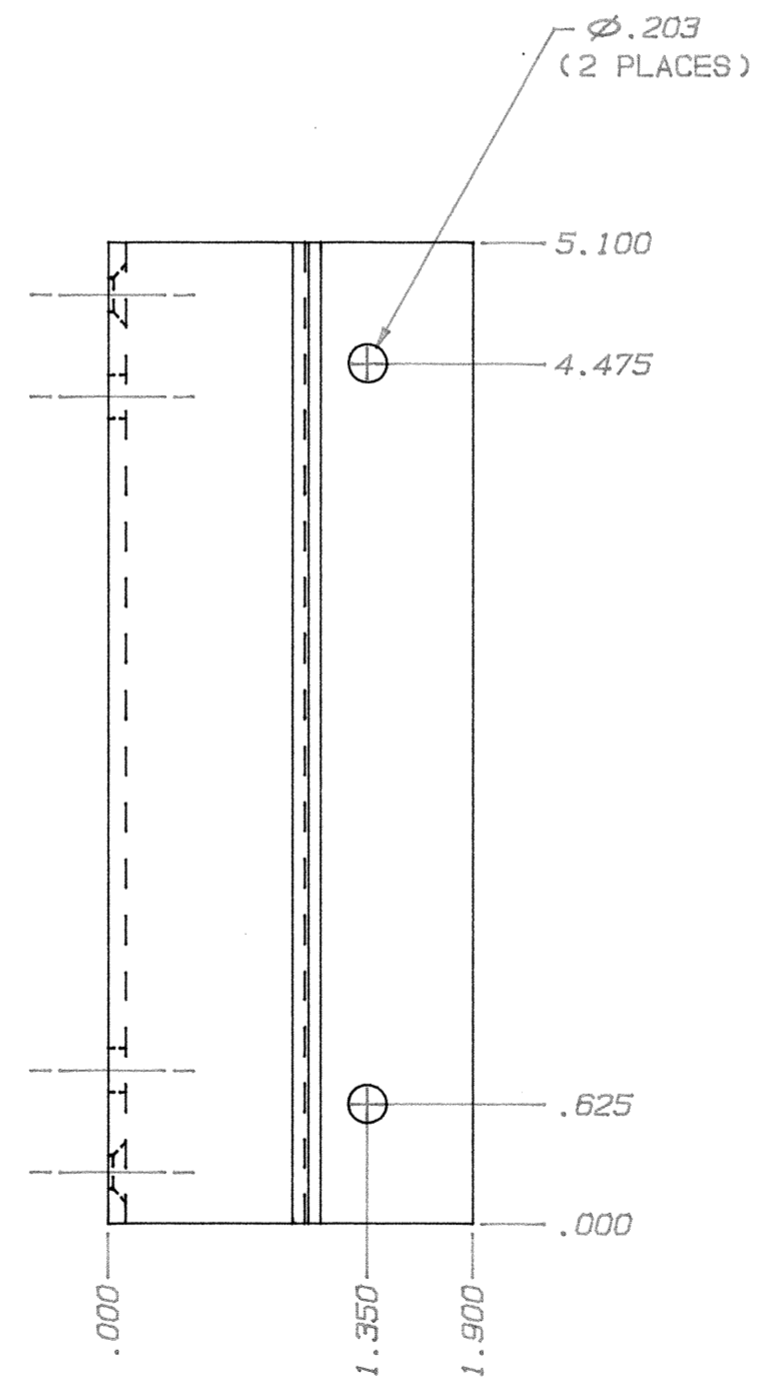
REVISIONS			
REV	DESCRIPTION	DATE	APPROVED
B	ADJUSTED CNSK HOLES FOR 4-9/16" HANDLE	08/01/88	AWR



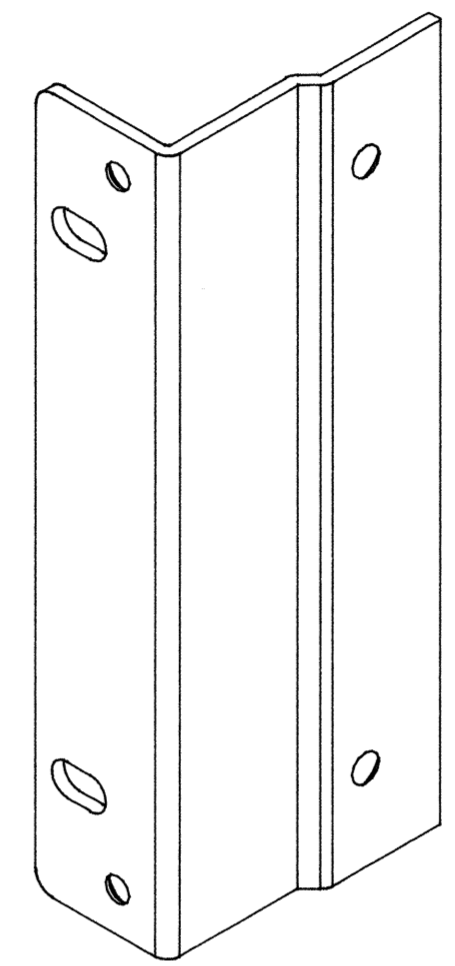
TOP VIEW



FRONT VIEW



RIGHT SIDE VIEW



- NOTES: 1) ALL DIMENSIONS ARE IN INCHES  
 2) TOL +/- .010  
 3) USE MINIMUM RADII ON ALL BENDS  
 4) MATERIAL: .090 ALUMINUM  
 5) FINISH: BLACK ANODIZE  
 DO NOT GRAIN, TUMBLE O.K.

*STANFORD RESEARCH SYSTEMS, Inc.*

1290-D REAMWOOD AVENUE SUNNYVALE, CA 94089		ASSEMBLY: SR530 LOCK-IN AMPLIFIER	
PHONE: (408) 744-9040 FAX: 4087449049 TELEX: 706891 SRS UD		TITLE: RACK MOUNT (TWO PER ASSEMBLY)	
SIZE C	SRS REF# SR530-28	SRS PART# 7-00214-720	REV B
DRAWN BY: AWR		SCALE: 1:1	DATE: 04/12/88 SHEET 1 OF 1