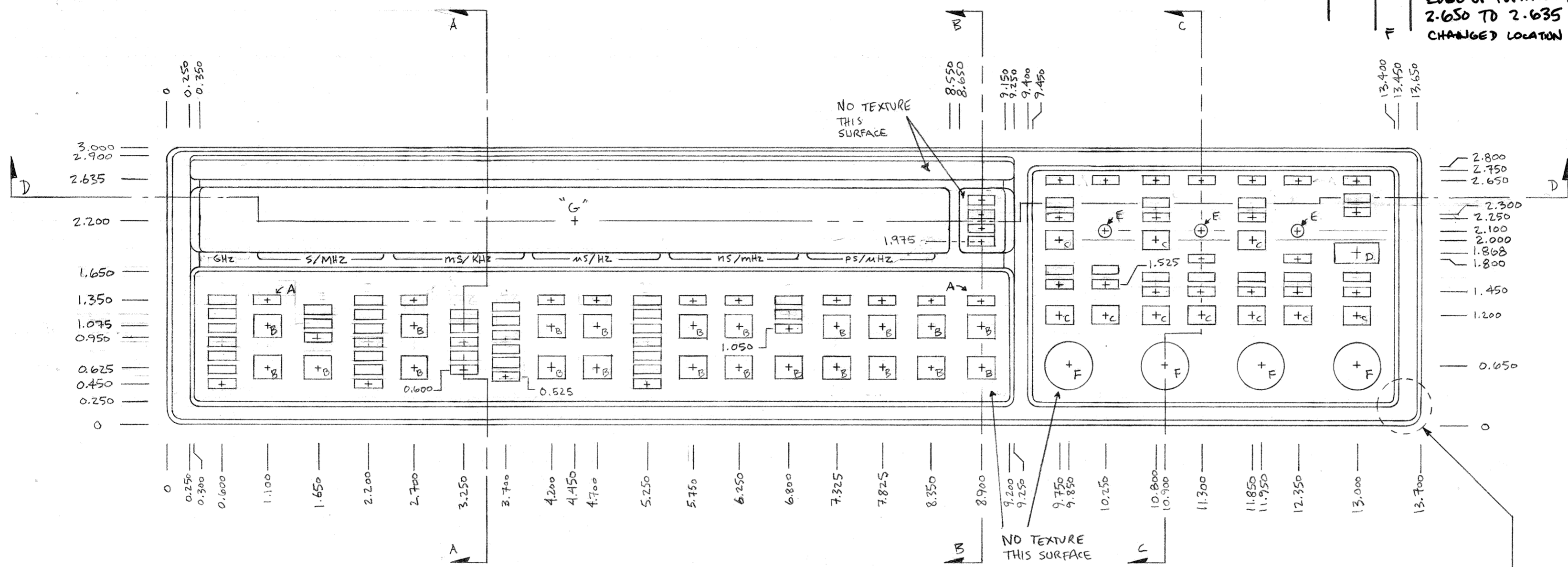
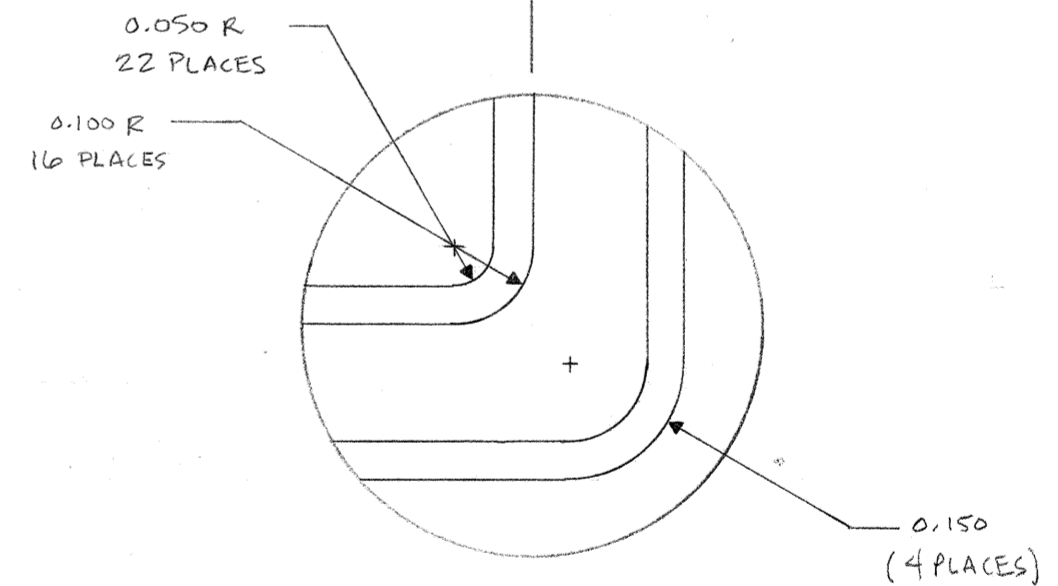


REVISIONS				
ZONE	REV.	DESCRIPTION	DATE	APPROVED
	B	-FIX RIB LINES IN L.E.D. HOLES. -ADD TWO L.E.D. HOLES FOR "AUTO". -INCREASE OVERALL TOL TO ±.015. -NEW HOLE SCHEDULE.	8/11/87	JRW
	C	-NEW TEXTURE INSTRUCTIONS -MOVE TWO L.E.D. HOLES (AUTO) DOWN .050 TO 1.800.	8/26/87	JRW
	E	CHANGED LOCATION OF LOWER EDGE OF TOPMOST LABEL FROM 2.650 TO 2.635	8/9/87	AWR
	F	CHANGED LOCATION OF 2 ND OP.	2/8/88	AWR



FRONT VIEW

NOTE: ALL HIDDEN LINES HAVE BEEN OMITTED FOR DRAWING CLARITY



CORNER RADIUS DETAIL
NOTE: RADIUS QTY'S REFER TO FRONT VIEW ONLY.

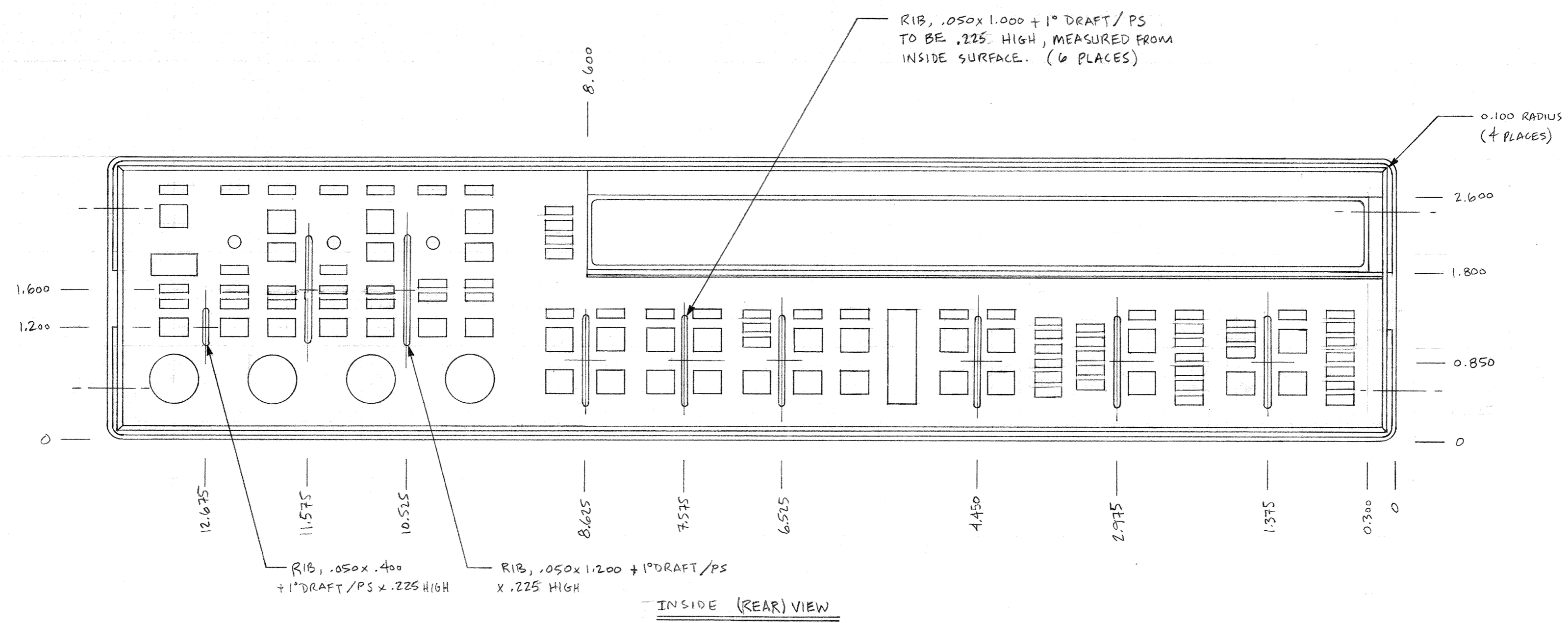
HOLE SCHEDULE			
LABEL	QNT	SIZE H x L	DESCR.
A	83	0.115 x 0.310	LED
B	22	0.290 x 0.340	BUTTON
C	10	0.240 x 0.340	BUTTON
D	1	0.245 x 0.505	POWER
E	3	0.135 ϕ	POT
F	4	0.515 \pm .005 ϕ	ENC
G	1	0.700 x 8.200	WINDOW

(SEE NOTE 6)

- NOTES:
- 1) ALL DIMENSIONS ARE IN INCHES
 - 2) TOL \pm 0.015, FILLET & CORNER RADII = .015 UNLESS OTHERWISE NOTED
 - 3) MATERIAL: ABS PLASTIC, FLAME RETARDANT
 - 4) MFG PROCESS: INT. MOLD (4 CNSK HOLES, 2ND OPERATION)
 - 5) COLOR TO BE MATCHED PER SAMPLE
 - 6) THE HOLE SCHEDULE REFERS TO THE OPENING AT THE FRONT, WITH A 10° DRAFT OPENING TO THE REAR. THE "A" HOLES WHICH ARE NOT DIMENSIONED ARE CENTERED 0.150" ABOVE THE HOLE WHICH IS JUST BELOW IT.
 - 7) TEXT TO BE ENGRAVED (RAISED ON FINISHED PART) PER ARTWORK PROVIDED BY S.R.S., AND TO BE .020 HIGH FOR HOT STAMPING
 - 8) EJECTOR PIN & GATE LOCATIONS TO BE APPROVED BY S.R.S. BEFORE CONSTRUCTION.
 - 9) TOOL MATERIAL = P20

STANFORD RESEARCH SYSTEMS		FRONT PANEL		
DRAWN	AWR	SIZE	FSCM NO.	DWG. NO.
ISSUED	6-11-87	SCALE	1:1	SR620-23
				7-00151-720
				REV. F
			SHEET	1 of 4

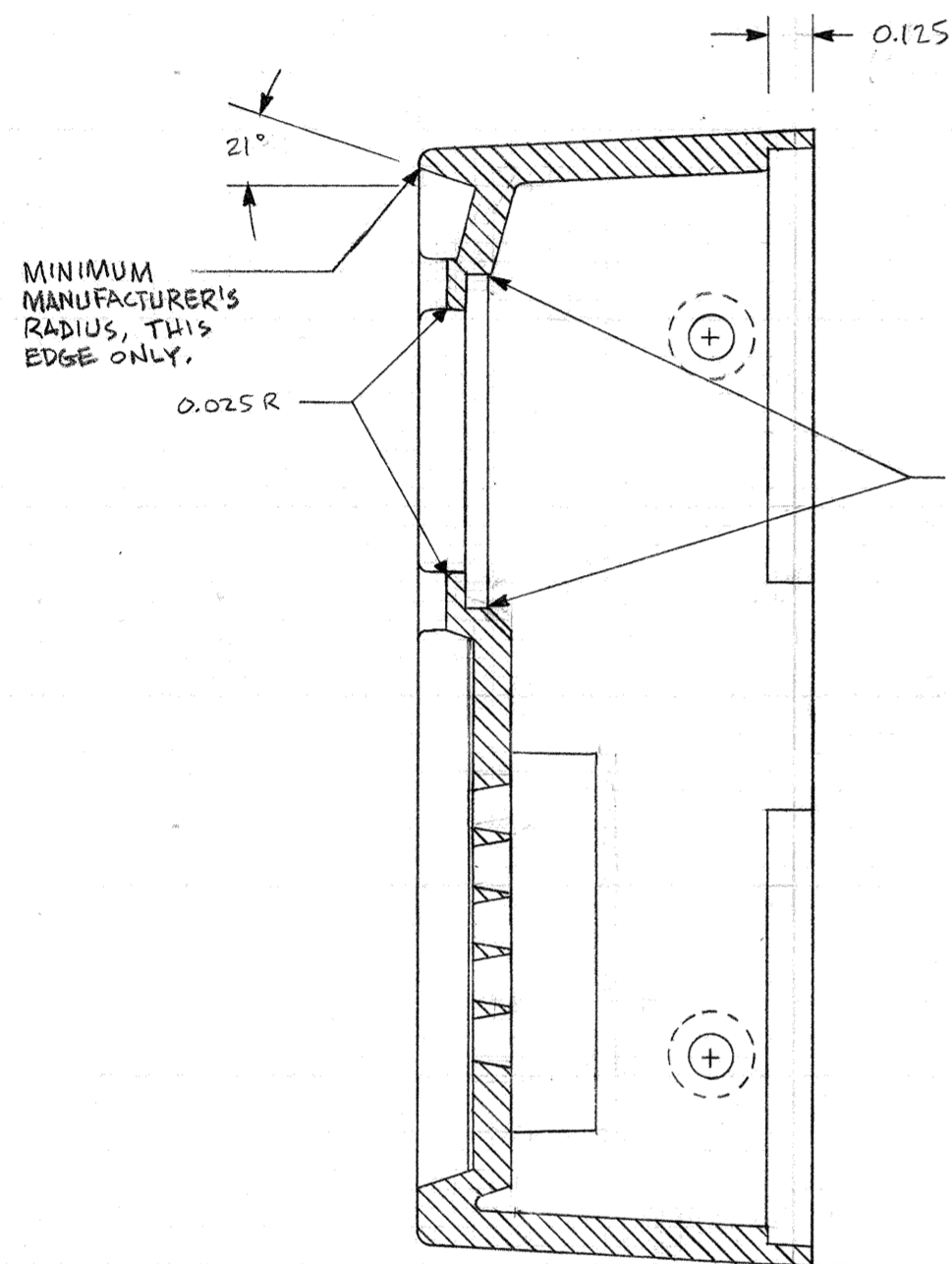
REVISIONS				
ZONE	REV.	DESCRIPTION	DATE	APPROVED
	B	CHANGE RIB HEIGHT TO 0.225 FROM 0.275	8/11/89	JRW



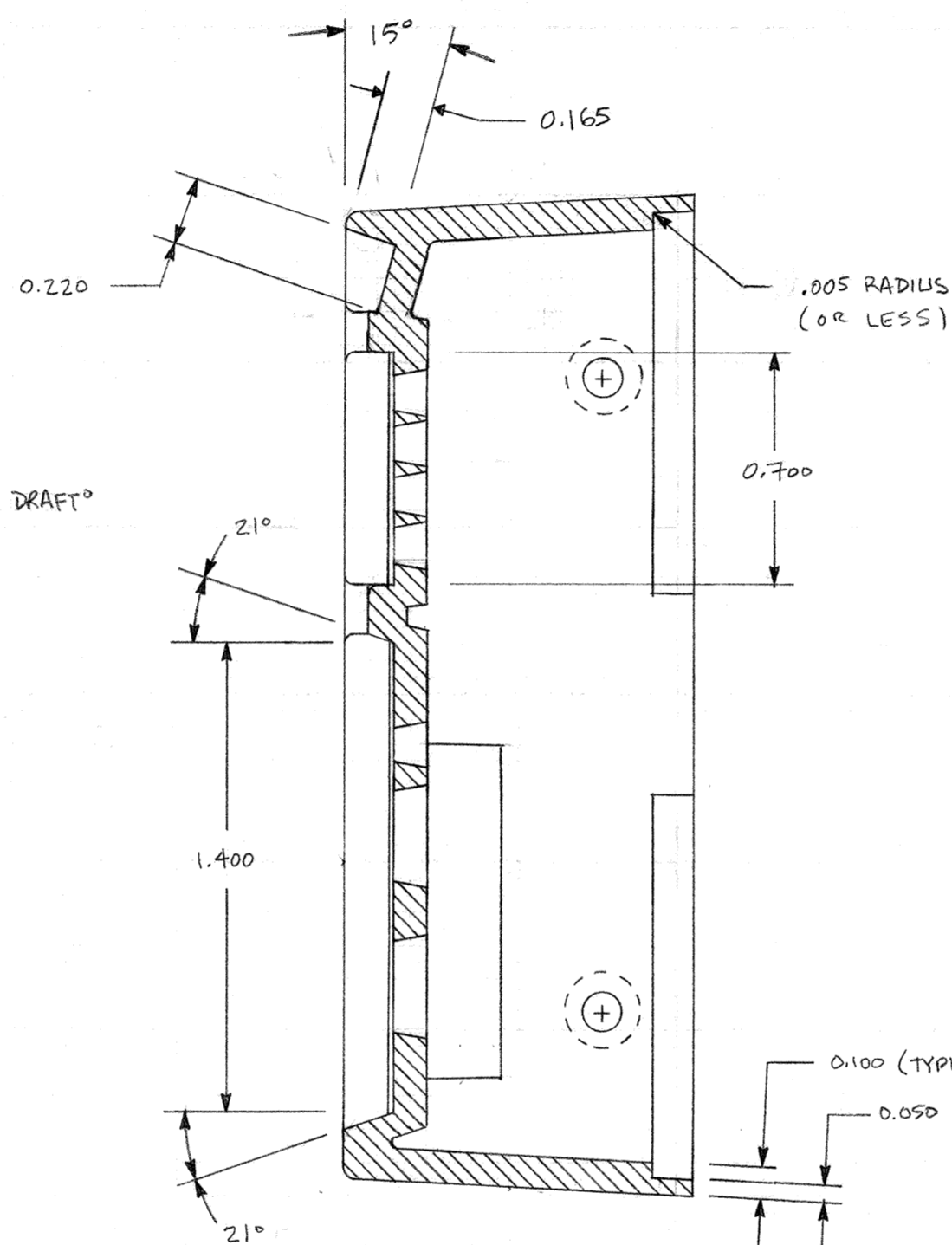
NOTES: 1) SEE DWG. SR620-23 FOR ADDITIONAL NOTES.

STANFORD RESEARCH SYSTEMS		FRONT PANEL		
DRAWN	AWR	SIZE	FSCM NO.	DWG. NO.
ISSUED	6-11-87	SCALE	1:1	SR620-24
		SHEET		2 OF 4
		REV		F
		DWG. NO.		7-00151-720

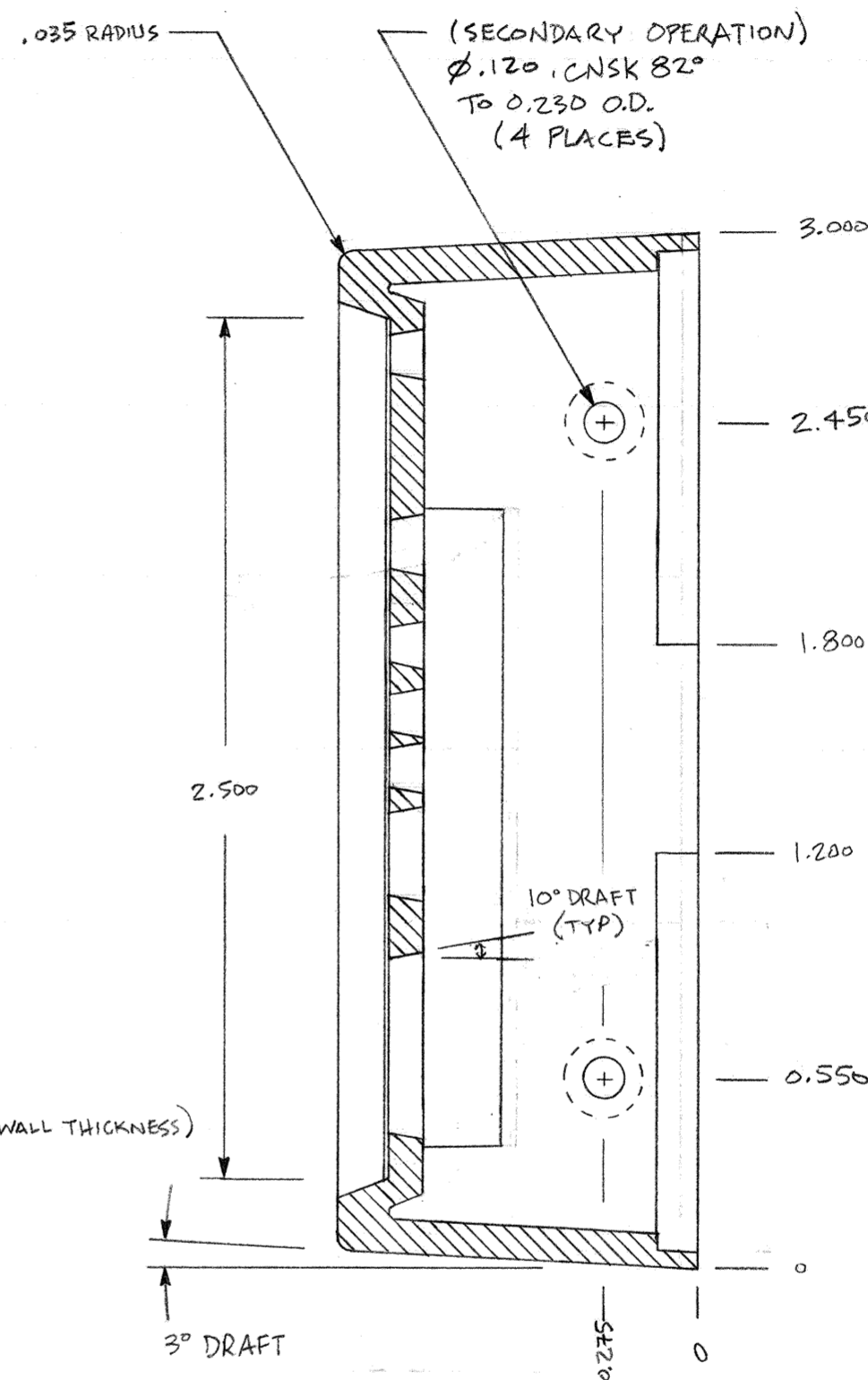
REVISIONS				
ZONE	REV.	DESCRIPTION	DATE	APPROVED
	C	NEW TEXTURE (NSTRUCTIONS	8-26-87	JRW
	D	NEW OUTSIDE RADIUS = .035/WAS .045	9-2-87	JRW
	D	ADDED MIN. RADIUS NOTE TO UPPER TITLE EDGE.	9-2-87	JRW
	E	CHANGED DEPTH OF TOP LABEL FROM .150 TO .165	9-16-87	AWR
	F	CHANGED LOCATION OF 2 ND OP	02-08-88	AWR



SECTION A-A



SECTION B-B



SECTION C-C

NOTE: ALL OUTSIDE AND FRONT SURFACES TO RECEIVE MT-1055 TEXTURE, EXCEPT FOR TWO LARGE, ONE SMALL & ONE LONG AREA. (FOR LEXAN LABELS) ARE FLAT. (SEE FRONT VIEW.) NO TEXTURE ON INSIDE SURFACES.

STANFORD RESEARCH SYSTEMS		FRONT PANEL DETAILS		
DRAWN	AWR	SIZE	FSCM NO.	DWG. NO.
ISSUED	6-12-87	SCALE	2:1	SR620-25
				SHEET 3 of 4
				REV. F

